

# LD8001FID



## ONLINE TRACE TOTAL HYDROCARBON ANALYZER



The LD8001-FID is an online instrument that offers the ideal solution for the total hydrocarbon measurements. Its compact and robust design perfectly fits on any industrial installation. The LDetek FID and electronic platform bring the performances required by the market.

### FEATURES:

- LDetek FID design offering low maintenance
- Bootloader integrated for software update via Ethernet
- Large scale measurement
- 4-20 mA output as standard
- Range Identification Relay
- Touchscreen 7 inches HDMI TFT display
- LAN/Web control
- Micro-valve for very low dead volume and fast purging time
- 3U cabinet

### APPLICATIONS:

- Air separation unit
- Cryogenic truck loading station
- Speciality gas laboratories
- Process control
- Steel Industries
- Chemical plants
- Welding gas control
- Gas management system
- Quality control for truck fills and gas cylinders

## SPECIFICATIONS:

<b>DETECTOR TYPE</b>	Flame Ionisation Detector	
<b>RANGE</b>	0 – 10 ppm, 0 – 100 ppm, 0 – 1000 ppm, other range possible	
<b>REPEATABILITY</b>	< 1% full scale	
<b>ACCURACY</b>	Better than +/- 1% full scale	
<b>STANDARD FEATURES</b>	<ul style="list-style-type: none"> <li>• Manual or auto-ranging (user selectable)</li> <li>• Microprocessor controlled</li> <li>• Touchscreen 7 inches HDMI TFT display</li> <li>• Self diagnosis system with auto-resolve alarm</li> <li>• Alarm Historic</li> </ul>	<ul style="list-style-type: none"> <li>• Digital outputs for remote monitoring: (all dry relay contacts) <ul style="list-style-type: none"> <li>- System status (1 output)</li> <li>- Range in use (3 output)</li> <li>- Calibration in use (1 output)</li> </ul> </li> </ul>
<b>OPTIONS</b>	<ul style="list-style-type: none"> <li>• RS-232 / 422 / 485 / Profibus / ProfiNet / Ethernet IP / Modbus / EtherCat</li> <li>• 2 alarm outputs (user programmable set point)</li> <li>• 4-20 mA isolated output</li> </ul>	
<b>GAS CONNECTIONS</b>	Sample: 1/8" compression fittings	Vent: 1/8" compression fitting
<b>CALIBRATION GAS</b>	Zero: LDP1000 purified gas (Getter)	Span: 80%-90% of measuring scale (as CH4 reference)
<b>SAMPLE FLOW REQUIREMENTS</b>	50 to 200 sccm	
<b>AIR FLOW REQUIREMENTS</b>	200 to 600 sccm	
<b>FUEL FLOW REQUIREMENTS</b>	40 to 150 sccm	
<b>SAMPLE GAS OPERATING PRESSURE</b>	10-30 psig	
<b>OPERATING TEMPERATURE</b>	10 °C to 45 °C	
<b>SUPPLY</b>	115 VAC, 50 – 60 Hz or 220 VAC, 50 – 60 Hz	
<b>POWER CONSUMPTION</b>	Maximum 50 watts	
<b>DRIFT</b>	< +/- 1% over 24 hours	
<b>WEIGHT</b>	27 lbs (12 kg)	
<b>ENCLOSURE TYPE</b>	3U rackmount	
<b>INGRESS PROTECTION</b>	IP20 in accordance with IEC 60529	
<b>ENCLOSURE FINISH</b>	RAL7030 powder coat	
<b>CERTIFICATION</b>	In compliance with EMC directives : IEC 61000-4-3: 2020, IEC 61000-4-6: 2013, IEC 61000-4-2: 2008, IEC 61000-4-4: 2012, IEC 61000-4-5: 2014 A1: 2017, IEC 61000-4-8: 2009, IEC 61000-4-11: 2020 for immunity & CISPR 32: 2015 A1: 2019, FCC Part 15, Subpart B: 2021, CISPR 32: 2015 A1: 2019, FCC Part 15, Subpart B: 2021 for emissions.	

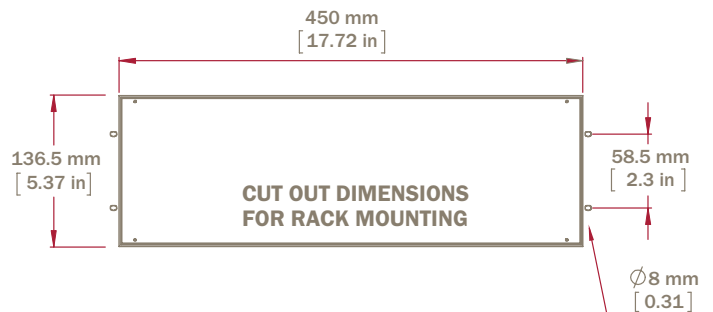
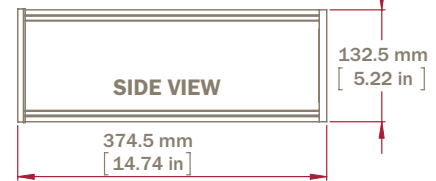
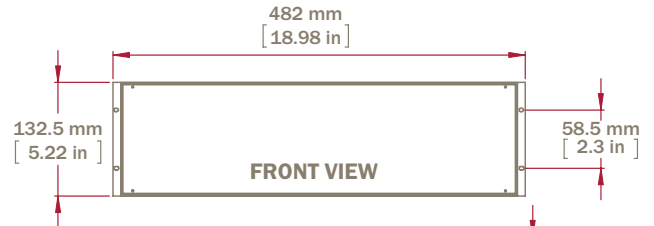
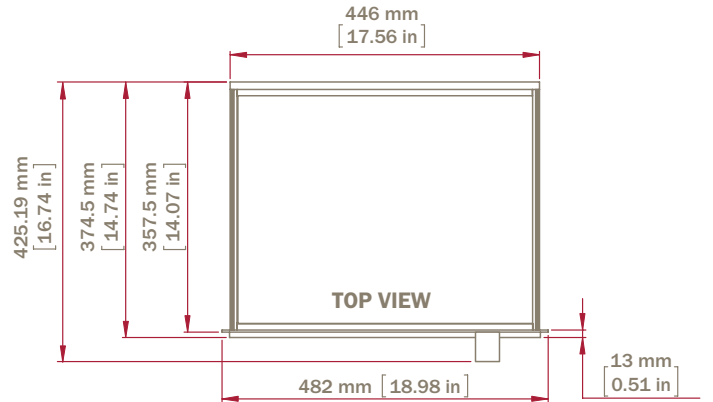
## ORDERING INFORMATION:

### Product Parent Code : LD8001-FID

LD8001-FID (ppm) Impurity THC, Detector FID

PRODUCT ORDERING CODE		
{Feature A} + {Feature B} + {Feature C} + {Feature D} + {Feature E}		
Feature	Item	Description
FEATURE {A}	<b>BASE MODEL</b>	
	LD8001-FID	Trace THC analyser, 0-10, 0-100, 0-1000 ppm (as default), using FID detector, electronic flow control. Requires H <sub>2</sub> and Air as fuel, non hazardous.
FEATURE {B}	<b>SAMPLE GAS</b>	
	B1	Argon
	B2	Helium
	B3	Oxygen
	B4	Nitrogen
	B5	Air
FEATURE {C}	<b>OPERATING VOLTAGE</b>	
	C1	120V
FEATURE {D}	<b>OUTPUT</b>	
	D0	No output
	D1	4-20 mA Outputs (Default qty - 1)
FEATURE {E}	<b>SERIAL COMMUNICATION</b>	
	E0	No Serial Interface
	E1	Serial Interface - Modbus RS232 (Default qty - 1)
	E2	Serial Interface - Modbus RS-485 (Default qty - 0)
	E3	Serial Interface - Modbus Ethernet (Default qty - 0)
	E4	Serial Interface - Profibus (Default qty - 0)

## DIMENSIONS:



990 Monfette Est, Thetford Mines, (Qc), Canada, G6G 7K6  
 Phone: 418 755-1319 • Fax: 418 755-1329 • [info@ldetek.com](mailto:info@ldetek.com)

[www.ldetek.com](http://www.ldetek.com)