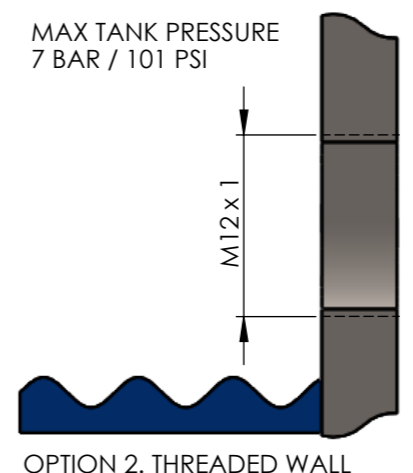
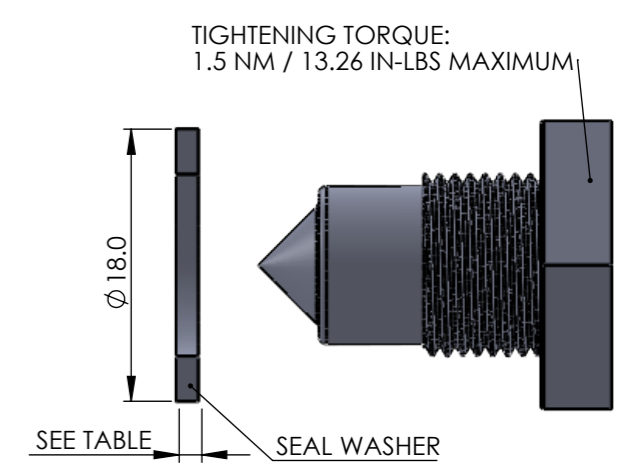
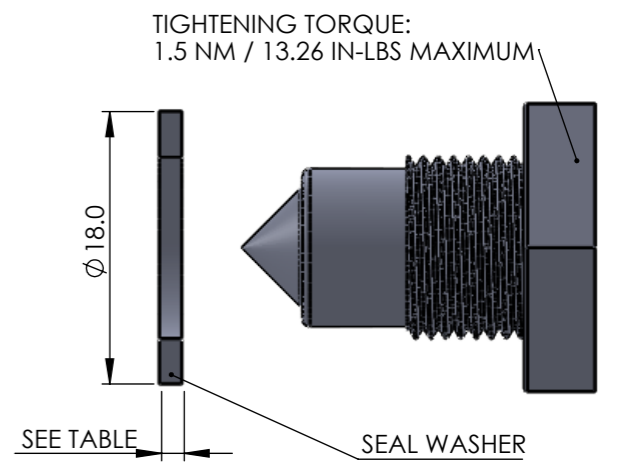


OPTION 1. CLEARANCE WALL
WASHER AND NUT OPTIONAL AND AVAILABLE ON REQUEST



OPTION 2. THREADED WALL

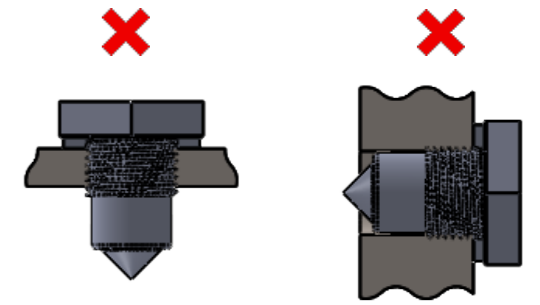
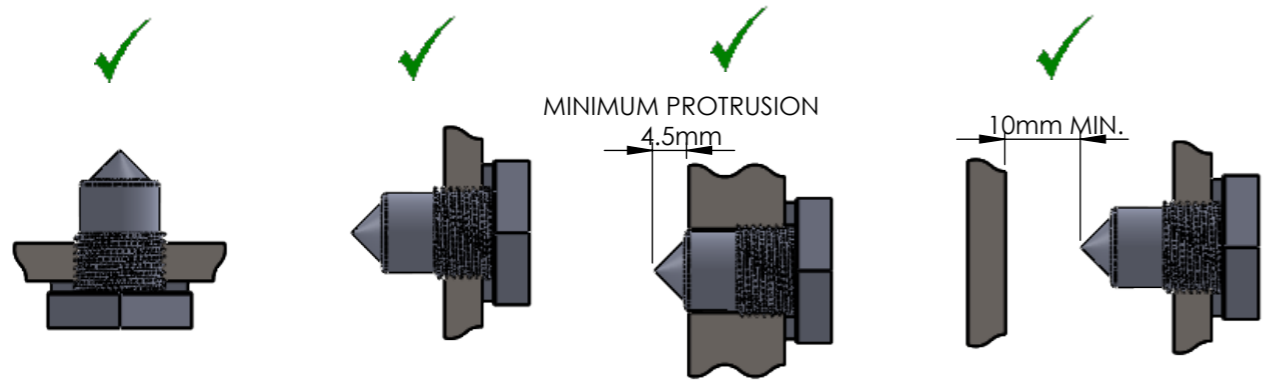


Available accessories				
Part Number	Description	Material	Thickness	Chosen for
41000190-002	Seal washer	Nitrile	1.5mm	Standard temperature (-25 to +80C)
41000190-004	Seal washer	VAMAC	1.5mm	Extended temperature (-40 to +125C)
LL-NUT-ZNC	Nut	Zinc-plated brass	2mm	Non-corrosive liquids
LL-NUT-ST5	Nut	Stainless Steel	4mm	Corrosive liquids

RECOMMENDED MOUNTING POSITIONS

- OPTICAL LIQUID LEVEL SWITCHES SHOULD BE MOUNTED FROM THE SIDE OR FROM THE BOTTOM FOR BEST RESULTS.
- DO NOT ALLOW TIP OF SENSOR TO BE WITHIN TANK WALL. LIQUID CAN BE HELD IN WALL GIVING FALSE RESULTS
- AVOID MOUNTING POSITIONS WHERE AMBIENT LIGHT IS LIKELY TO POINT DIRECTLY AT THE SENSING TIP, AS FALSE READINGS CAN OCCUR.
- AVOID REFLECTIVE SURFACES WITHIN 10mm OF SENSING TIP. SWITCH PERFORMANCE CAN BE AFFECTED BY REFLECTIVE SURFACES
- MOUNTING FROM THE TOP DOWN IS NOT NORMALLY ADVISED AS FALSE READINGS CAN BE CAUSED BY LIQUID DROPLETS CLINGING TO THE SENSING TIP. HOWEVER, IF THE LIQUID VISCOSITY IS LOW, THEN POINTING DOWNWARDS IS OFTEN FINE. ADDITIONALLY, IF THE APPLICATION IS A HIGH LEVEL ALARM AND ITS ACTIVATION RESULTS IN THE MACHINE SHUTDOWN FOR EXAMPLE, POINTING DOWNWARDS MAY BE ACCEPTABLE.

IF YOU REQUIRE MOUNTING IN ANY POSITION THAT IS NOT NORMALLY ADVISED PLEASE CONTACT TECHNICAL@SSTSENSING.COM TO DISCUSS THE IMPLICATIONS.



UNLESS OTHERWISE SPECIFIED DIMENSIONS ARE IN MILLIMETERS STANDARD TOLERANCES: X X.X X.XX ±0.5 ±0.2 ±0.1 DEBURR AND BREAK SHARP EDGES ALL PARTS TO BE CLEAN AND FREE FROM DUST & OIL	MATERIAL: LLC - POLYSULFONE LLT - TROGAMID	TITLE: LLX2 OPTOMAX BASIC - M12 MOUNTING	
	DRAWN BY: S.McCURRACH DRAWN ON: 15/01/2018	THIRD ANGLE PROJECTION	DRAWING NO. LLX200A3SH
		SCALE: 2:1	SHEET 1 OF 1